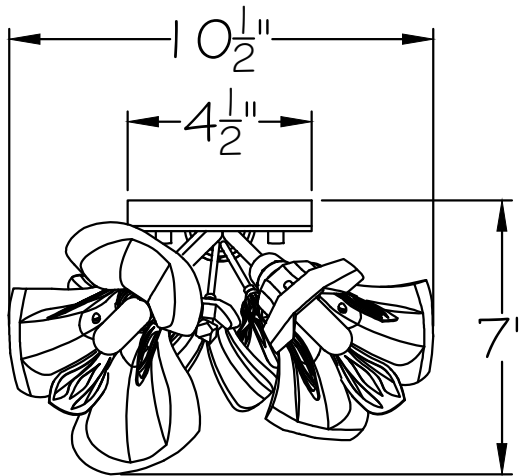
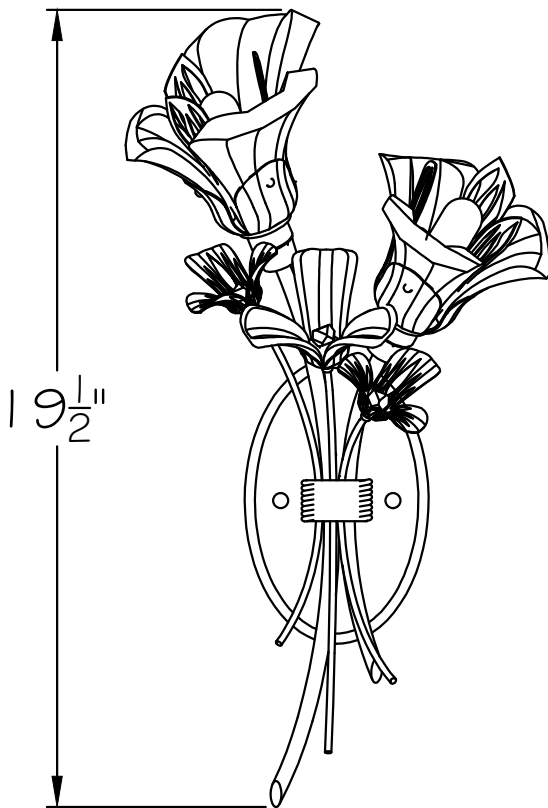


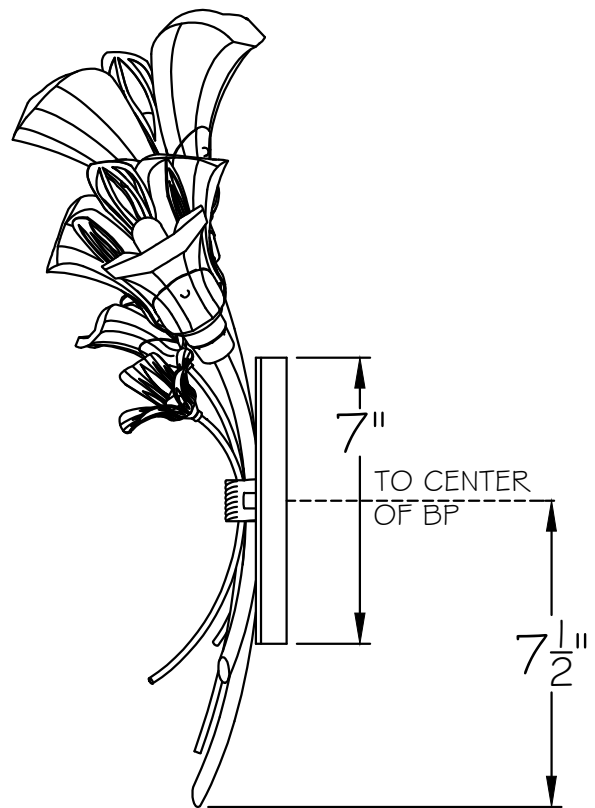
CUSTOMER REFERENCE DRAWING



TOP VIEW



FRONT VIEW



SIDE VIEW

STYLE CONFIGURATIONS:

-1ST SILVER

-2ST GOLD

-3ST WHITE GESSO



This drawing, specifications and the product depicted are the exclusive property of Fine Art Handcrafted Lighting®. In compliance with US copyright and patent requirements, notice is hereby given that this document and the product depicted shall not be copied, altered or used in any manner without the expressed written consent of Fine Art Handcrafted Lighting®.

www.finearthl.com

Tel:(305) 821-3850
FINE ART LAMPS®

Fax:(305) 513-5736

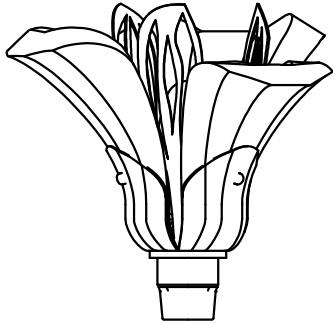
STYLE NUMBER:

915450 (LEFT)

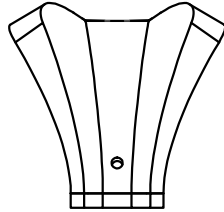
DATE:

8/26/20

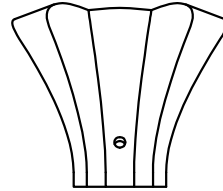
CRYSTAL REFERENCE DRAWING



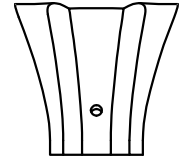
LARGE LIGHT FLOWER ASSEMBLY (X1 TOTAL)



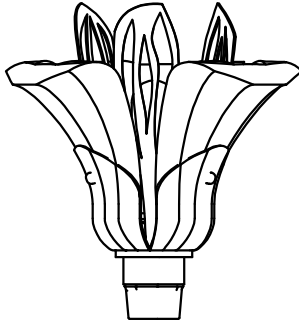
(X1 PER ASSEMBLY)
LARGE CRYSTAL PETAL
#00301204



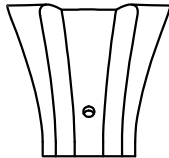
(X1 PER ASSEMBLY)
MEDIUM CRYSTAL PETAL
#00301205



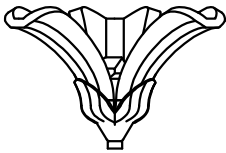
(X1 PER ASSEMBLY)
SMALL CRYSTAL PETAL
#00301206



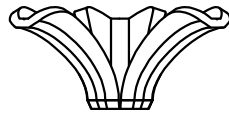
SMALL LIGHT FLOWER ASSEMBLY (X1 TOTAL)



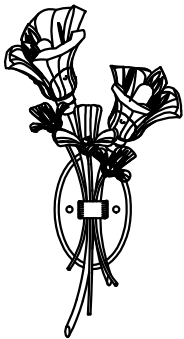
(X3 PER ASSEMBLY)
SMALL CRYSTAL PETAL
#00301206



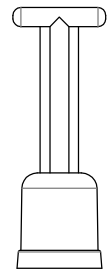
TALL FLOWER ASSEMBLY (X1 TOTAL)



(X1 PER ASSEMBLY)
CRYSTAL PETAL CLUSTER
#00301202



SOCKET THREADED
COLLAR #00401212



ASSEMBLY TOOL
#00201493
(NOT INCLUDED)

STYLE(S) #: 915450, 915750



This drawing, specifications and the product depicted are the exclusive property of Fine Art Handcrafted Lighting®. In compliance with US copyright and patent requirements, notice is hereby given that this document and the product depicted shall not be copied, altered or used in any manner without the expressed written consent of Fine Art Handcrafted Lighting®.

www.finearthl.com

Tel:(305) 821-3850
FINE ART LAMPS®

Fax:(305) 513-5736

INSTRUCTION #:

00791440

SHEET

1 / 1